
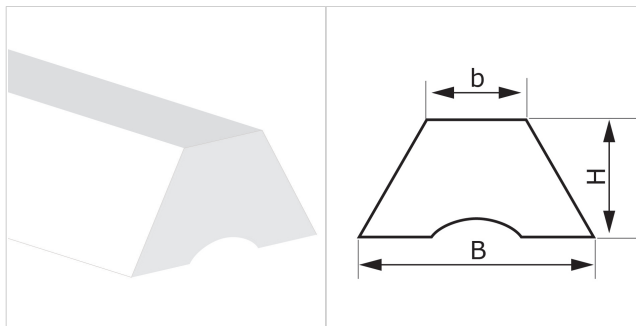


| CODE | ES909 | | TYPE | K10 TPO blue | |
|--|--------------------------------|-------|--------|--------------|---|
| DESCRIPTION | | | | | |
| Profiles mainly fitted on conveyor belts as guides. | | | | | |
| TECHNICAL SPECIFICATIONS | | | | | |
| Material | Thermoplastic Polyolefin (TPO) | | | | |
| Hardness | 85 ±5 Sh.A | | | | |
| Colour | Blue | | | | |
| Base | Grooved | | | | |
| B Upper base | 10.0 mm | 0.39 | in. | | |
| b Bottom base | 6.0 mm | 0.24 | in. | | |
| H Height | 6.0 mm | 0.24 | in. | | |
| Weight | 46 gr/m | 0.041 | oz/in. | | |
| Minimum pitch | | | | | |
| ■ longitudinal | 40 mm | 1.6 | in. | | |
| ■ transversal | 40 mm | 1.6 | in. | | |
| Minimum pulley diameters ⁽¹⁾ | | | | | |
| ■ longitudinal-driving side | 65 mm | 2.6 | in. | | |
| ■ longitudinal-conveying side | 105 mm | 4.1 | in. | | |
| ■ transversal-conveying side | --- mm | --- | in. | | |
| ⁽¹⁾ Minimum pulley diameters referred to environment conditions of 20°C | | | | | |
| Temperature resistance ⁽²⁾ | | | | | |
| min. | -40 °C | -40 | °F | | |
| max | 60 °C | 140 | °F | | |
| ⁽²⁾ Use with limit values may reduce its life | | | | | |
| Roll/bar sizes | 300.0 m | 984.0 | ft | | |
| COMPLIANCES | | | | | |
| REACH EC 1907/2006 Regulation and Amendments EC 1935/2004 Regulation and Amendments EC 2023/2006 Regulation and Amendments EU 10/2011, 2017/752 Regulation and Amendments FDA (Food and Drug Administration) | | | | |  |
| METHOD OF APPLICATION | | | | | |
| - High frequency welding | | | | | |
| NOTES | | | | | |



Issue: 17-02-2022

Last Update: 30-03-2022

DISCLAIMER

The information contained in this document describes the features of the CHIORINO product as tested in a laboratory environment at a temperature of +23 degrees °C at 50% relative humidity. It does not necessarily reflect the conditions of industrial use and it does not guarantee the product to be suitable for certain applications. The client remains liable for the proper selection and correct use of the CHIORINO product. CHIORINO cannot be held responsible should damages arise from the use of its products. Necessary alterations to this data can be made without prior notice.