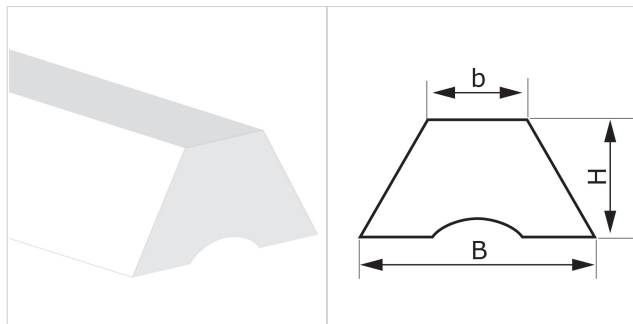


**CODE ES6**
**TYPE**
**K8 W**
**DESCRIPTION**

Profiles mainly fitted on conveyor belts as guides.


**TECHNICAL SPECIFICATIONS**

Material Polyvinyl chloride (PVC)

Hardness 60 ±5 Sh.A

Colour White

Base Grooved

B Upper base 8 mm 0.31 in.

b Bottom base 5 mm 0.20 in.

H Height 5 mm 0.20 in.

Weight 38 gr/m 0.034 oz/in.

Minimum pitch

|                |       |         |
|----------------|-------|---------|
| ■ longitudinal | 40 mm | 1.6 in. |
| ■ transversal  | 40 mm | 1.6 in. |

 Minimum pulley diameters<sup>(1)</sup>

|                               |        |         |
|-------------------------------|--------|---------|
| ■ longitudinal-driving side   | 40 mm  | 1.6 in. |
| ■ longitudinal-conveying side | 65 mm  | 2.6 in. |
| ■ transversal-conveying side  | --- mm | --- in. |

<sup>(1)</sup> Minimum pulley diameters referred to environment conditions of 20°C

|                                       |      |        |        |
|---------------------------------------|------|--------|--------|
| Temperature resistance <sup>(2)</sup> | min. | -10 °C | 14 °F  |
|                                       | max  | 60 °C  | 140 °F |

<sup>(2)</sup> Use with limit values may reduce its life

Roll/bar sizes 300.0 m 984.0 ft

**COMPLIANCES**

 REACH EC 1907/2006 Regulation and Amendments  
 FDA (Food and Drug Administration)

**METHOD OF APPLICATION**

- Hot air welding
- High frequency welding

**NOTES**

Issue 22-01-2020

Last Update: 22-01-2020

**DISCLAIMER**

The information contained in this document describes the features of the CHIORINO product as tested in a laboratory environment at a temperature of +23 degrees °C at 50% relative humidity. It does not necessarily reflect the conditions of industrial use and it does not guarantee the product to be suitable for certain applications. The client remains liable for the proper selection and correct use of the CHIORINO product. CHIORINO cannot be held responsible should damages arise from the use of its products. Necessary alterations to this data can be made without prior notice.