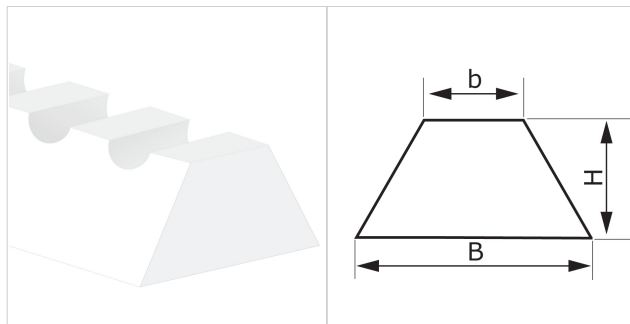


CODE ES47
TYPE
KN13 P W
DESCRIPTION

Knotched profile can be used on smaller roller diameters.


TECHNICAL SPECIFICATIONS

Material Polyvinyl chloride (PVC)

Hardness 60 ±5 Sh.A

Colour White

Base Flat

B Upper base 13 mm 0.51 in.

b Bottom base 7 mm 0.28 in.

H Height 8 mm 0.31 in.

Weight 87 gr/m 0.077 oz/in.

Minimum pitch

■ longitudinal	45 mm	1.8 in.
■ transversal	45 mm	1.8 in.

Minimum pulley diameters⁽¹⁾

■ longitudinal-driving side	50 mm	2.0 in.
■ longitudinal-conveying side	80 mm	3.2 in.
■ transversal-conveying side	--- mm	--- in.

⁽¹⁾ Minimum pulley diameters referred to environment conditions of 20°C

Temperature resistance ⁽²⁾	min.	-10 °C	14 °F
	max	60 °C	140 °F

⁽²⁾ Use with limit values may reduce its life

Roll/bar sizes 150.0 m 492.0 ft

COMPLIANCES

REACH EC 1907/2006 Regulation and Amendments
FDA (Food and Drug Administration)

METHOD OF APPLICATION

- Hot air welding
- High frequency welding

NOTES

Issue 22-01-2020

Last Update: 22-01-2020

DISCLAIMER

The information contained in this document describes the features of the CHIORINO product as tested in a laboratory environment at a temperature of +23 degrees °C at 50% relative humidity. It does not necessarily reflect the conditions of industrial use and it does not guarantee the product to be suitable for certain applications. The client remains liable for the proper selection and correct use of the CHIORINO product. CHIORINO cannot be held responsible should damages arise from the use of its products. Necessary alterations to this data can be made without prior notice.