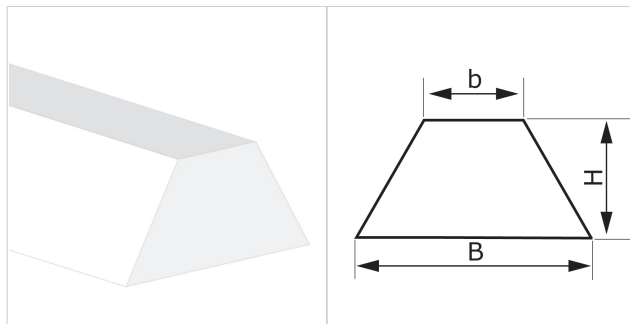


**CODE ES31**
**TYPE**
**K13 P TR**
**DESCRIPTION**

Profiles mainly fitted on conveyor belts as guides.


**TECHNICAL SPECIFICATIONS**

Material Polyvinyl chloride (PVC)

Hardness 60 ±5 Sh.A

Colour Transparent

Base Flat

B Upper base 13 mm 0.51 in.

b Bottom base 7 mm 0.28 in.

H Height 8 mm 0.31 in.

Weight 98 gr/m 0.087 oz/in.

Minimum pitch

■ longitudinal 45 mm 1.8 in.

■ transversal 45 mm 1.8 in.

 Minimum pulley diameters<sup>(1)</sup>

■ longitudinal-driving side 70 mm 2.8 in.

■ longitudinal-conveying side 115 mm 4.5 in.

■ transversal-conveying side --- mm --- in.

<sup>(1)</sup> Minimum pulley diameters referred to environment conditions of 20°C

 Temperature resistance<sup>(2)</sup> min. -10 °C 14 °F

max. 60 °C 140 °F

<sup>(2)</sup> Use with limit values may reduce its life

Roll/bar sizes 150.0 m 492.0 ft

**COMPLIANCES**

 REACH EC 1907/2006 Regulation and Amendments  
 FDA (Food and Drug Administration)

**METHOD OF APPLICATION**

- Hot air welding
- High frequency welding

**NOTES**

Issue 22-01-2020

Last Update: 22-01-2020

**DISCLAIMER**

The information contained in this document describes the features of the CHIORINO product as tested in a laboratory environment at a temperature of +23 degrees °C at 50% relative humidity. It does not necessarily reflect the conditions of industrial use and it does not guarantee the product to be suitable for certain applications. The client remains liable for the proper selection and correct use of the CHIORINO product. CHIORINO cannot be held responsible should damages arise from the use of its products. Necessary alterations to this data can be made without prior notice.